

Vinyl Seals

Properties

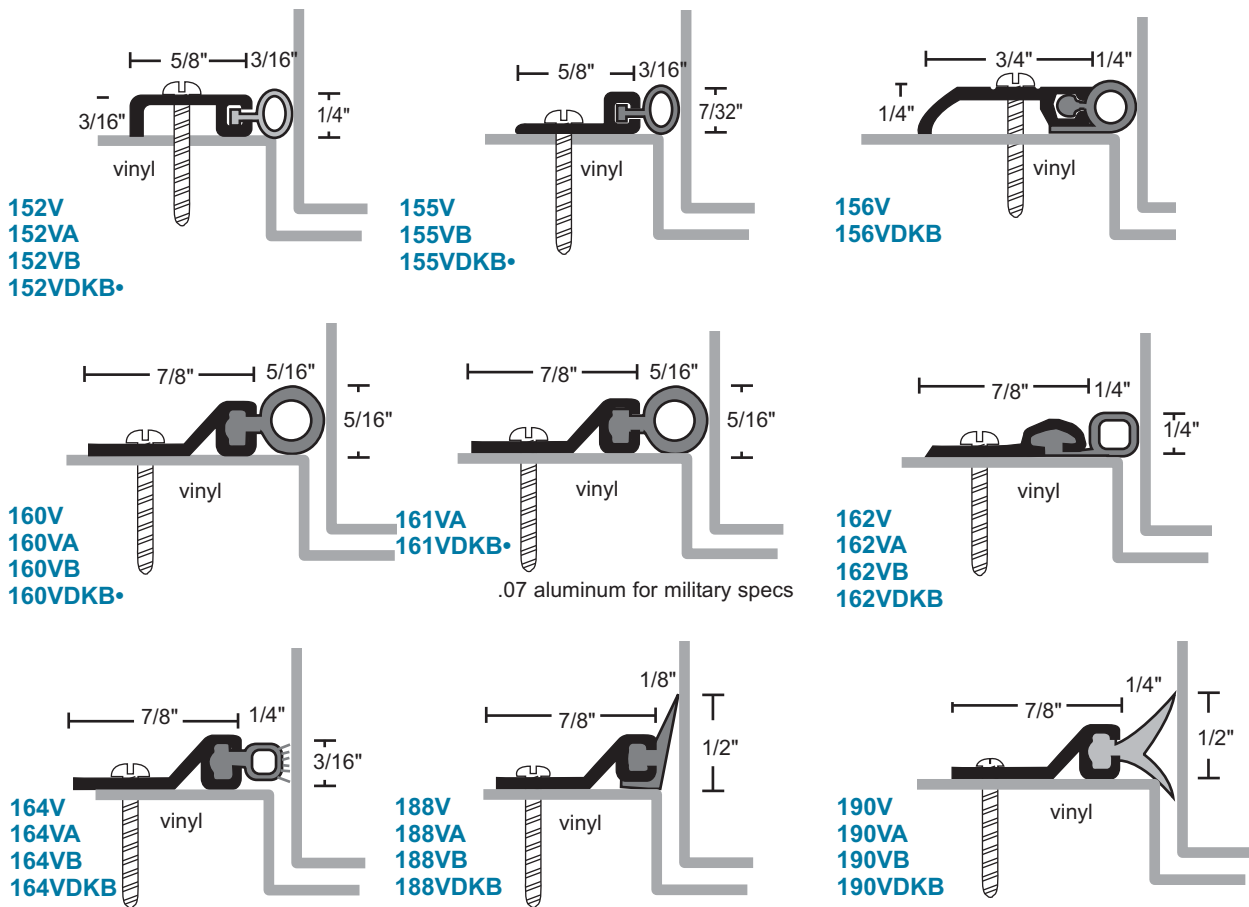
- Thermoplastic polymer: Polyvinyl Chloride (PVC)
- Economical
- Flame resistant
- Moisture resistant
- Temperature range 0°F to 140°F
- Oxidative degradation from age and exposure to Cold, Heat and UV causes hardening, loss of memory and resilience, cracking, crazing and discoloration

#6 x 3/4" Stainless Steel Sheet Metal Screws furnished
Screw holes slotted for adjustment

All vinyl seals this section



A - clear
B - gold
DKB - dark bronze
no suffix - mill
Vinyl is gray
(exception: •vinyl is black)



Polypropylene Pile Seals

Temperature range 32°F to 275°F

