

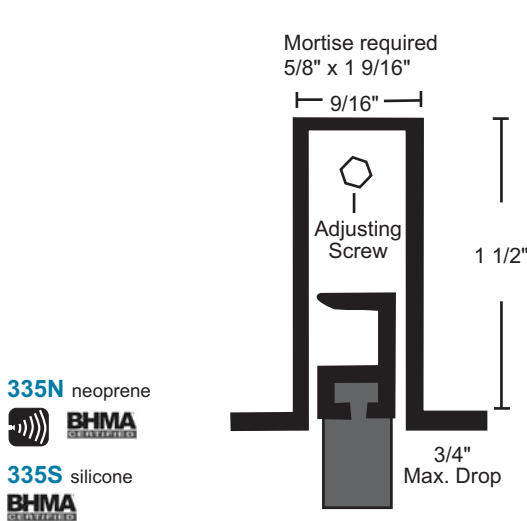
## Automatic Door Bottoms - Mortise

- Use with a threshold for maximum sealing capability
- Nylon brush recommended for carpet applications where no threshold is provided
- Specify the exact net length required to avoid field sizing. Automatic Door Bottoms 36" and longer may be cut up to 4" in the field, under 36" should not be cut in the field, order net length.
- End caps available - please specify

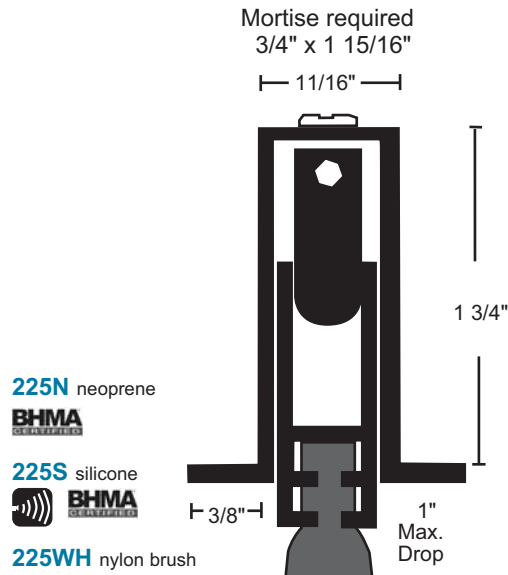
All products this page



neoprene is black  
silicone, nylon brush  
& vinyl are gray

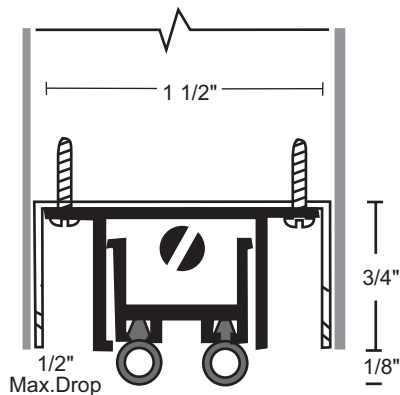


Available 23 1/4" net to 48" in length  
Fits wood fire door mortise restrictions



Available 11" to 60" in length  
Available with lead insert for radiation shield - specify "lead-lined"

## Hollow Metal Doors



Fits in 1 5/8" x 3/4" channel. A "furring strip" may be used to lower automatic door bottom when a deeper channel is used.

Furnished 1/2" shorter than ordered to fit within net door size. (i.e. 36" is furnished 35 1/2") Length may be field cut up to 4".

Fire ratings apply to metal doors only.

#4 x 5/8" SMS furnished

Available 24" to 48" in length.

- 320N neoprene
- 320S silicone
- 320V vinyl