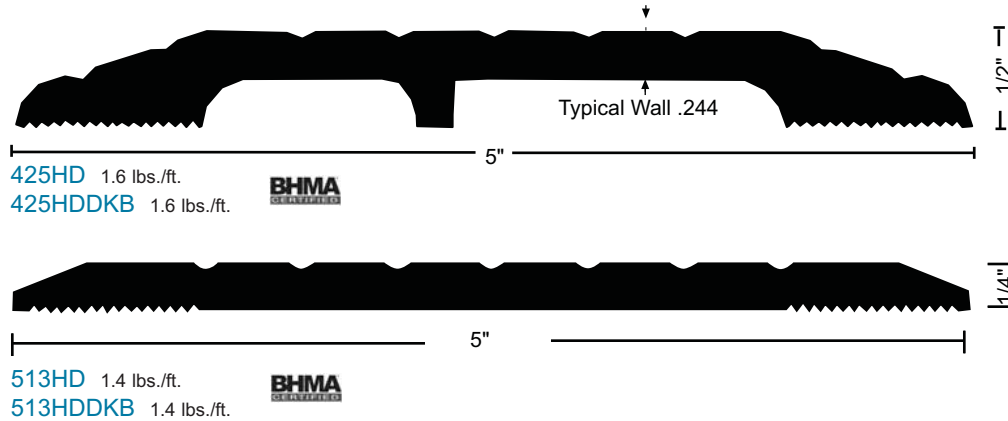


Heavy Duty Thresholds

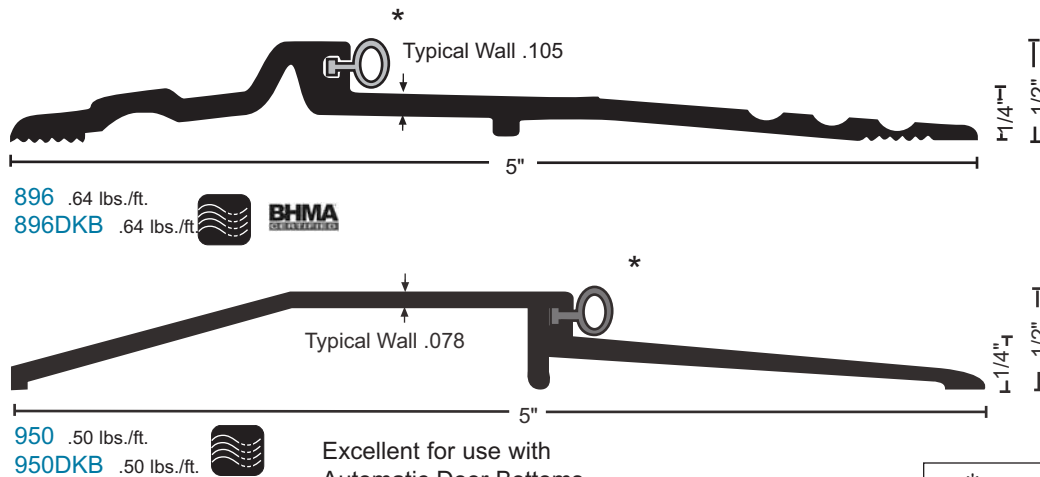
- For use where forklift or vehicular traffic occurs.
- Recommended for delivery/storage doorways where heavier loads travel.
- Greatly exceeds ANSI A156.21 load test requirements.
- Optional "SIA" (Slick It Ain't) fused slip-resistant finish recommended in moisture prone areas.

All thresholds this page   



ADA Compliant Bumper Thresholds

- Hurricane/windstorm Florida Product Approval FL10144




Excellent for use with Automatic Door Bottoms

*** HD Bumper Seal**

Seals against the door providing weather resistance

Vinyl ("V") supplied unless other material is specified

Options:
Neoprene ("N")
Silicone ("S")



FASTENERS
#10 x 1-1/2" FH zinc plated wood screws are included on mill finish thresholds. Zinc plated antique bronze finish screws are provided to match DKB finish.

MATERIALS & FINISHES

- Aluminum mill finish
- DKB - Aluminum dark bronze finish

 Slip Resistant SIA Finish
All thresholds are available with our slip resistant, non-skid finish for better traction. Suffix "SIA".