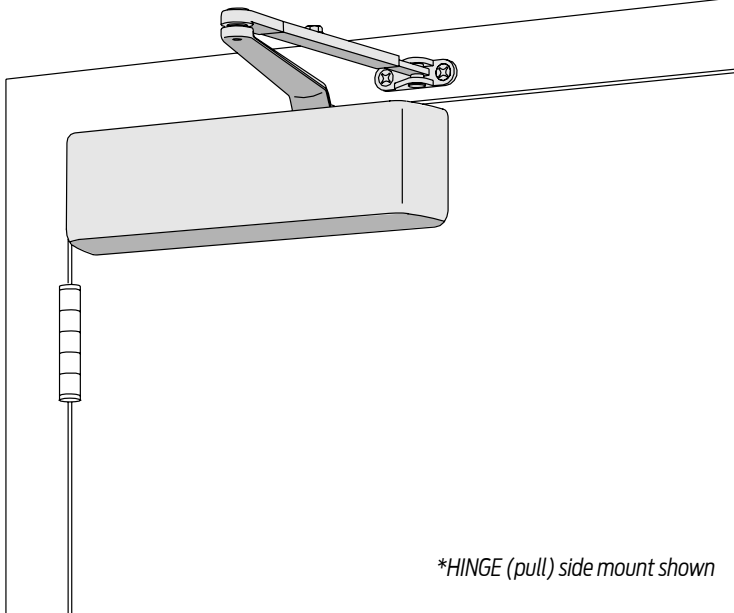


4040XP SERIES

FEATURES

CLOSER MOUNTS
***HINGE (PULL) SIDE**
TOP JAMB (PUSH SIDE)
PARALLEL ARM (PUSH SIDE)



The 4040XP is LCN's most durable and flexible heavy duty closer designed for institutional and other demanding high traffic applications.

- Cast Iron
- Forged Steel Arm
- Double Heat Treated Steel Pinion
- All Weather Fluid
- Non-Handed
- LCN Patented Green Dial
- Peel-n-Stick Templates for Fast and Accurate Installation
- UL & cUL Listed
- 3/4" Journal Diameter Pinion
- Full Compliment Bearing

- Standard 4040XP Series closer shipped with regular arm, standard plastic cover, and self reaming and tapping screws.
- Non-sized cylinder is adjustable for interior doors to 5'0" and exterior doors to 4'0".
- Closer mounts hinge side, top jamb, and parallel arm on either right or left swinging doors.
- Closers to meet ADA requirements.
- Standard or optional custom powder coat finish.
- Optional plated finish on cover, arm, and fasteners.
- Optional SRI primer for installations in corrosive conditions. (Available with powder coat finishes only.)
- UL and cUL listed for self-closing doors without hold-open.
- Tested and certified under ANSI Standard A156.4, grade one.



MOUNTING					FINISH		COVER		CYLINDER				*ARM FUNCTION								
HINGE (PULL) SIDE	TOP JAMB (PULL)	TOP JAMB (PUSH)	PARALLEL ARM	STOP FACE	POWDER COAT	PLATED	PLASTIC	METAL	NON-HANDED	NON-SIZED	ACCESSIBILITY	DELAYED ACTION	AVB**	REGULAR (DOUBLE)	STANDARD (SINGLE)	HOLD-OPEN	FUSIBLE LINK	EDA/MEDA	CUSH/HCUSH	SCUSH/SHCUSH	DOUBLE EGRESS
●	○	●	●	○	●	●	●	●	●	○	○	○	○	180°	○	180°	○	180°	110°	110°	○

● AVAILABLE
 ○ NOT AVAILABLE

♿ Closer available with less than 5.0 lbs. opening force on 36" door.
 ** Maximum opening/hold-open point with standard template.
 *** Advanced Variable Backcheck.
 **** Delayed Action Closer incorporates standard 4041 Delay Cylinder.

4040XP SERIES

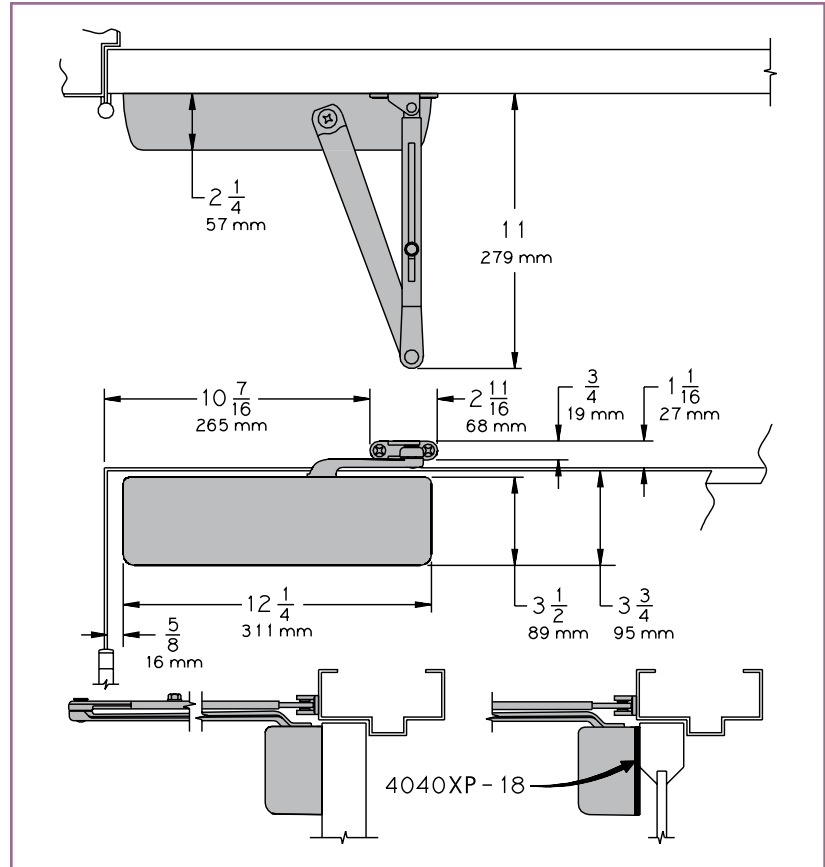
MOUNTING DETAILS

HINGE (PULL) SIDE MOUNTING

MAXIMUM OPENING

Templating allows up to 120°.

Hold-open points 90° up to 120° with hold-open arm.



- **Butt Hinges** should not exceed 5" (127 mm) in width.
- **Auxiliary Stop** is recommended at hold-open point or where a door cannot swing beyond 120°.
- **Reveal** should not exceed 3/4" (19 mm) for regular arm or hold-open arm.
- **Top Rail** less than 3-3/4" (95 mm) requires PLATE, 4040XP-18. Plate requires 2" (51 mm) minimum.
- **Clearance** of 2-3/8" (60 mm) behind door required for 90° installation.
- ***Delayed Action** incorporates standard 4041 cylinder, without XP cylinder. Delays closing from 120° to 70°. Delay time adjustable up to approximately 1 minute.

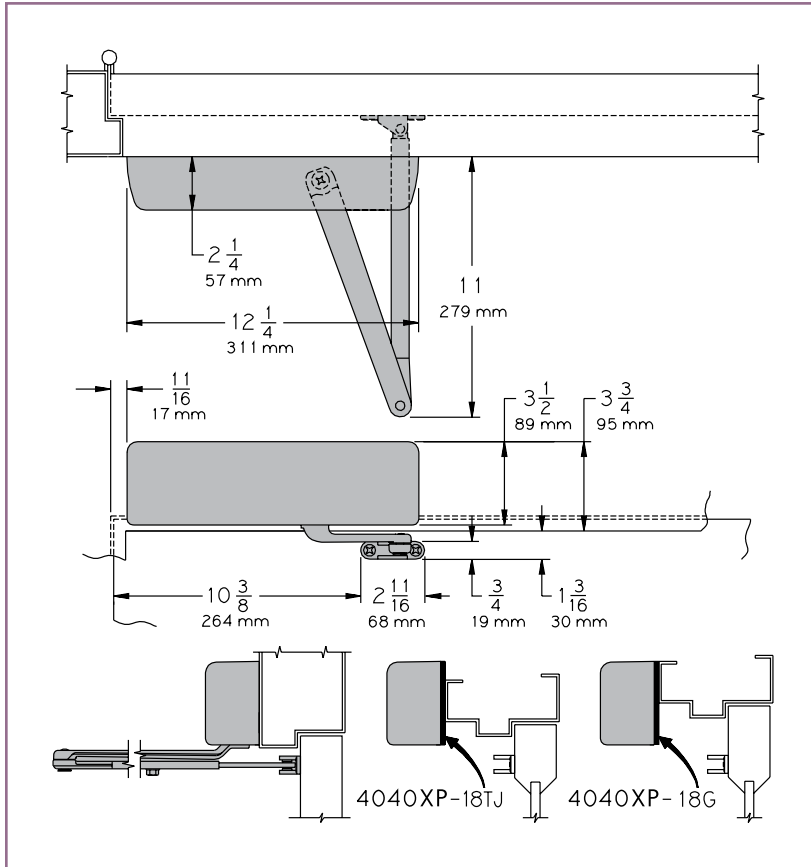
Options

- 4041 Delayed action cylinder*.
- Hold-open arm.
- Metal cover.

Special Templates

Customized installation templates or products may be available to solve unusual applications. Contact LCN Product Support for assistance.

4040XP SERIES



TOP JAMB (PUSH SIDE) MOUNTING

MAXIMUM OPENING

Templating allows up to 120°.

Hold-open points 85° up to 120° with hold-open arm.

- **Butt Hinges** should not exceed 5" (127 mm) in width.
- **Auxiliary Stop** is recommended at hold-open point or where a door cannot swing beyond 120°.
- **Reveal** of 2-9/16" (65 mm) allows 120° opening for REGULAR ARM or standard Hold-open ARM. 4-13/16" (122 mm) allows up to 120° opening with LONG ARM where standard rod and shoe is replaced with optional LONG ROD AND SHOE 4040XP-79LR. Use H-LONG ARM with LONG HEAD AND TUBE, 4040XP-78HL for hold-open. 8" (203 mm) allows up to 120° opening with EXTRA LONG ARM where standard rod and shoe is replaced with optional EXTRA LONG ROD AND SHOE, 4040XP-79ELR.
- **Top Rail** requires 1-1/4" (32 mm) minimum.
2-1/4" (57 mm) minimum with closer on PLATE, 4040XP-18TJ.
3" (76 mm) minimum with closer on PLATE, 4040XP-18G.
- **Head Frame** less than 3-1/2" (89 mm) requires PLATE, 4040XP-18TJ. With flush ceiling, use PLATE, 4040XP-18G. Either plate requires 1-3/4" (44 mm) minimum.
- ***Delayed Action** Incorporates standard 4041 cylinder, without XP cylinder. Delays closing from 120° to 70°. Delay time adjustable up to approximately 1 minute.

Options

- 4041 Delayed action cylinder*
- Hold-open arm.
- Metal cover.

Customized installation templates or products may be available to solve unusual applications. Contact LCN Product Support for assistance.

4040XP SERIES

MOUNTING DETAILS

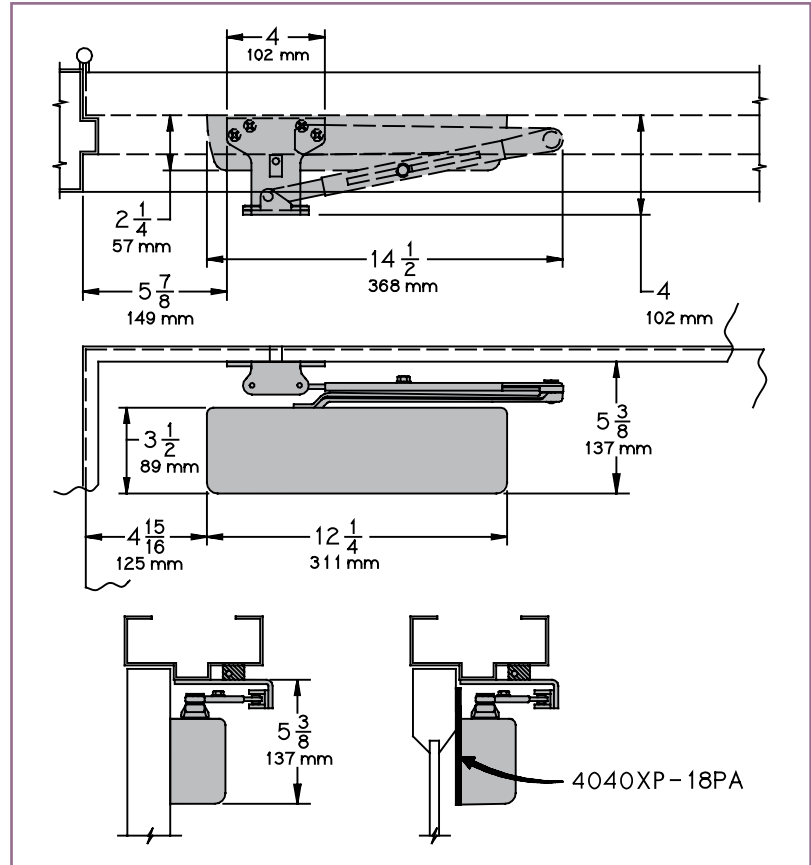
PARALLEL ARM (PUSH SIDE) MOUNTING

Optional mounting requires PA SHOE, 4040XP-62PA for regular or HOLD-OPEN arms. Add prefix "P" to closer description (eg. P4040XP). P4040XP closer includes 4040XP-201 FIFTH HOLE SPACER to support PA SHOE.

MAXIMUM OPENING

180° opening/hold-open points with all except CUSH arms.

110° opening/hold-open with CUSH arms.



Options

- 4041 Delayed action cylinder*
- Hold-open, EDA, HEDA, CUSH, HCUSH, SPRING CUSH or SPRING HCUSH arm.
- Metal cover.

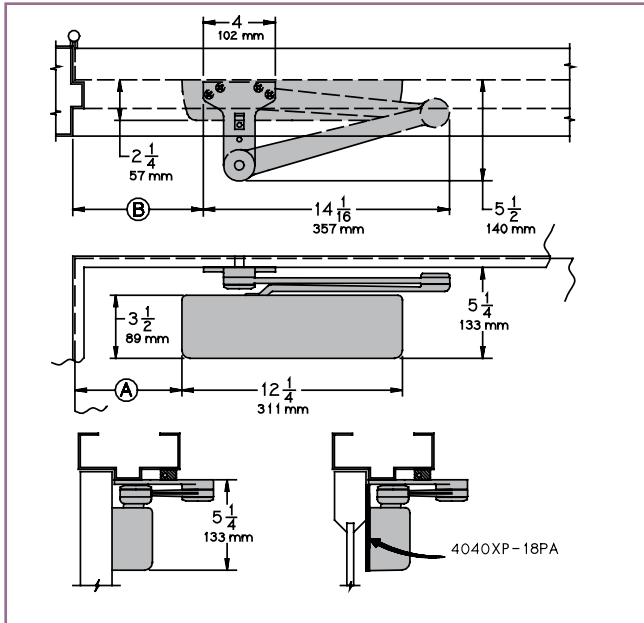
Special Templates

Customized installation templates or products may be available to solve unusual applications. Contact LCN Product Support for assistance.

- **Butt Hinges** should not exceed 5" (127 mm) in width.
- **Auxiliary Stop** is recommended at hold-open point, where the door cannot swing 180°, or where CUSH-N-STOP arm is not used.
- **Clearance** for 4040XP-62PA shoe is 4" (102 mm) from door face. EDA shoe projects 5-1/2" (140 mm) from door face. CUSH shoe projects 6" (152 mm) from door face.
- **Top Rail** less than 5-3/8" (137 mm) measured from the stop requires PLATE, 4040XP-18PA. Plate requires 2" (51 mm) minimum from the stop.
- **Head Frame** flush or rabbeted requires PA SHOE ADAPTER, 4040XP-419.
- **Stop Width** minimum 1" (25 mm). CUSH arm requires minimum 1-1/2" (38 mm).
- **Blade Stop** clearance requires 1/2" (13mm) BLADE STOP SPACER, 4040XP-61.
- ***Delayed Action** Incorporates standard 4041 cylinder, without XP cylinder. Delays closing from 120° to 70°. Delay time adjustable up to approximately 1 minute.

4040XP SERIES

4040XP SERIES EDA MOUNT



Mounting details are the same as 4040XP Series REGULAR or HOLD-OPEN except as listed below. 4040XP Series closers ordered with EDA or CUSH arms include 4040XP-201 FIFTH HOLE SPACER to support the shoe.

MAXIMUM OPENING

EDA arm can be templated for points at: 110°;

(A) = 6-3/8" (162 mm)

(B) = 7-3/4" (197 mm)

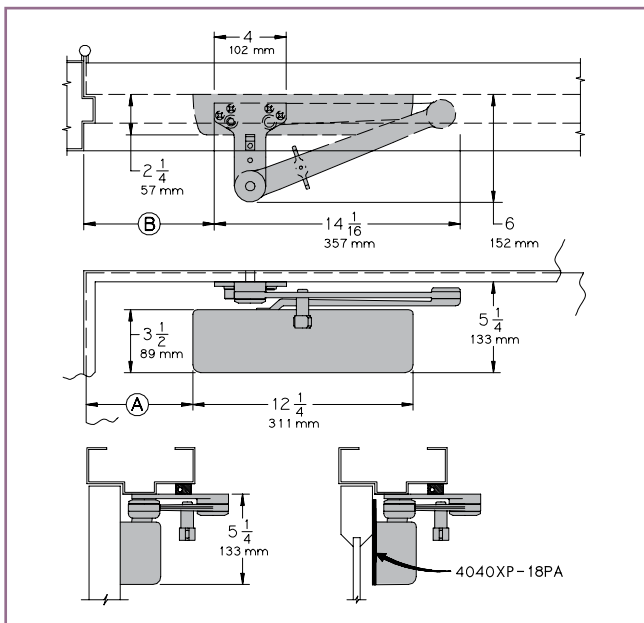
or 180°.

(A) = 2-7/8" (73 mm)

(B) = 4-1/4" (108 mm)

Hold-open points up to maximum opening with HEDA arm.

4040XP SERIES CUSH MOUNT



CUSH arms can be templated for opening/hold-open point at: 85°;

(A) = 7-15/16" (202 mm)

(B) = 9-1/8" (232 mm)

90°;

(A) = 7-3/16" (183 mm)

(B) = 8-1/2" (216 mm)

100°;

(A) = 6-1/16" (154 mm)

(B) = 7-1/4" (184 mm)

or 110°.

(A) = 5-1/16" (129 mm)

(B) = 6-3/8" (162 mm)

Spring Cush dead stop points are approximately 5° more than templated stop point. Hold open at templated stop points.

- **Clearance** for 4040XP-62EDA is 5-1/2" (140 mm) from door face. 6" (152 mm) for CUSH.
- **Head Frame** flush or rabbeted requires CUSH FLUSH PANEL ADAPTER, 4040XP-419.
- **CUSH ARM** requires SHOE SUPPORT, 4040XP-30 for fifth screw anchorage for narrow frames.
- ***Delayed Action** Incorporates standard 4041 cylinder, without XP cylinder. Delays closing from maximum opening to ; 115° with 180° template, 95° with 110° template, 85° with 100° template, 75° with 90° template. Delay time adjustable up to approximately 1 minute.

4040XP SERIES

CYLINDERS

CYLINDER, 4040XP-3071

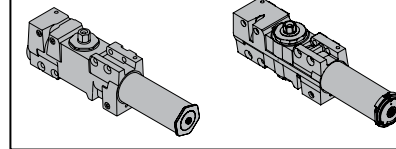
Heavy duty, non-handed cast iron cylinder assembly.

CYLINDER, 4041-3071 DEL

Cylinder used for delayed action options.

4041-3071 DEL

4040XP-3071



COVERS

COVER, 4040XP-72

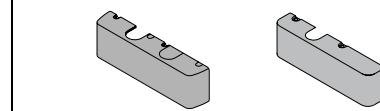
Standard, non-handed plastic cover.

METAL COVER, 4040XP-72MC

Optional, handed cover. Required for plated finishes and custom powder coat finishes.

72

72MC



ARMS

REGULAR ARM, 4040XP-3077

Non-handed arm mounts pull side or top jamb with shallow reveal. P4041 closer includes PA SHOE, 4040XP-62PA required for parallel arm mounting.

PA SHOE, 4040XP-62PA

Required for parallel arm mounting.

LONG ARM, 4040XP-3077L

Optional non-handed arm includes LONG ROD AND SHOE, 4040XP-79LR for top jamb mount.

EXTRA LONG ARM, 4040XP-3077ELR

Optional non-handed arm includes EXTRA LONG ROD AND SHOE, 4040XP-79ELR for top jamb mount with deep reveal.

HOLD-OPEN ARM, 4040XP-3049

Optional, non-handed arm mounts pull side or top jamb with shallow reveal, hold-open adjustable shoe. 4040XP closer includes 4040XP-62PA shoe required for parallel arm mounting.

LONG HOLD-OPEN ARM, 4040XP-3049L

Optional non-handed arm includes LONG HEAD AND TUBE, 4040XP-3048L for top jamb mount.

EXTRA DUTY ARM, 4040XP-3077EDA

Non-handed parallel arm features forged, solid steel main and forearm for potentially abusive installations.

HOLD-OPEN EXTRA DUTY ARM, 4040XP-3049EDA

Handed parallel arm features forged, solid steel main and forearm for potentially abusive installations. Hold-open function is adjusted at the shoe.

EXTRA DUTY ARM WITH 62G, 4040XP-3077EDA/62G

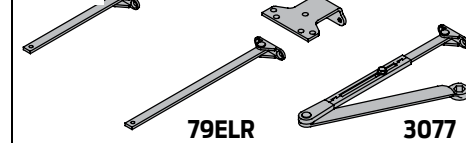
Non-handed parallel arm features forged, solid steel main and forearm for potentially abusive installations. 62G shoe provides additional blade stop clearance.

HOLD-OPEN EXTRA DUTY ARM WITH 62G, 4040XP-3049EDA/62G

Handed parallel arm features forged, solid steel main and forearm for potentially abusive installations. 62G shoe provides additional blade stop clearance. Hold-open function is adjusted at the shoe.

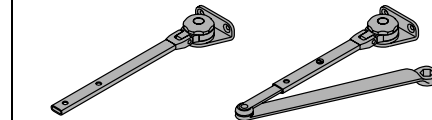
79LR

62PA



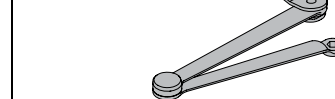
3048L

3049



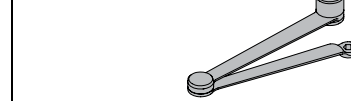
3049EDA

3077EDA



3049EDA/62G

3077EDA/62G

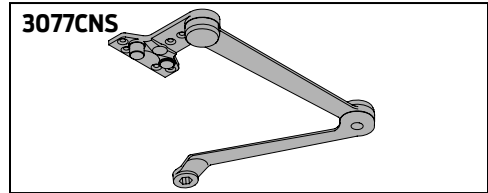


4040XP SERIES

ARMS CONT.

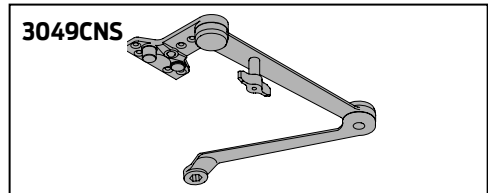
CUSH-N-STOP® ARM, 4040XP-3077CNS

Optional, non-handed parallel arm features solid forged steel main arm and forearm with stop in soffit shoe.



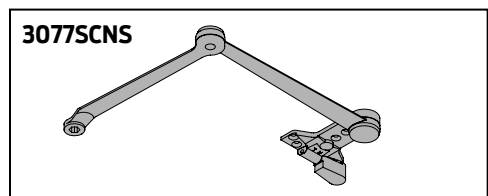
HCUSH ARM, 4040XP-3049CNS

Optional, non-handed hold-open function with templated stop/hold-open points. Handle controls hold-open function.



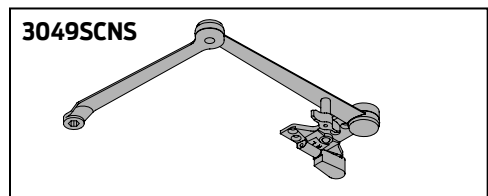
SPRING CUSH ARM, 4040XP-3077SCNS

Optional, non-handed parallel arm for abusive applications features solid forged steel main arm and forearm with spring loaded stop in the soffit shoe.



SPRING HCUSH ARM, 4040XP-3049SCNS

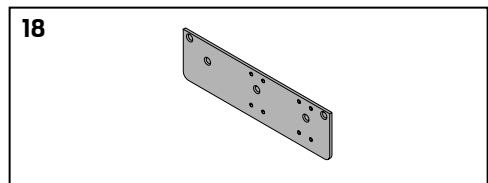
Optional, non-handed parallel arm for abusive applications features solid forged steel main arm and forearm with spring loaded stop in the soffit shoe. Handle controls hold-open function.



INSTALLATION ACCESSORIES

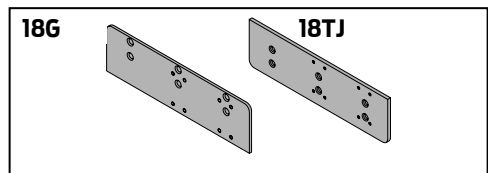
PLATE, 4040XP-18

Required for hinge side mount where top rail is less than 3-3/4" (95 mm). Plate requires minimum 2" (51 mm) minimum top rail.



PLATE, 4040XP-18G

Locates top jamb mounted closer flush with top of head frame face in flush ceiling condition. Plate requires 1-3/4" (44 mm) minimum head frame.

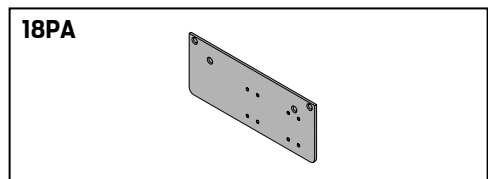


PLATE, 4040XP-18TJ

Centers top jamb mounted closer vertically on head frame where face is less than 3-1/2" (89 mm). Plate requires 1-3/4" (44 mm) minimum head frame.

PLATE, 4040XP-18PA

Required for parallel arm mounting where top rail is less than 5-1/2" (140 mm), measured from the stop. Plate requires 2" (51 mm) minimum top rail.



4040XP SERIES

INSTALLATION ACCESSORIES CONT.

CUSH SHOE SUPPORT, 4040XP-30

Provides anchorage for fifth screw used with CUSH arms, where reveal is less than 3-1/16" (78 mm).

BLADE STOP SPACER, 4040XP-61

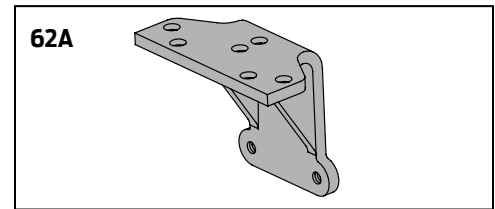
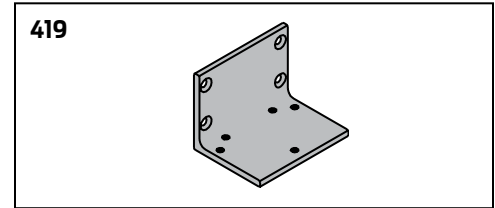
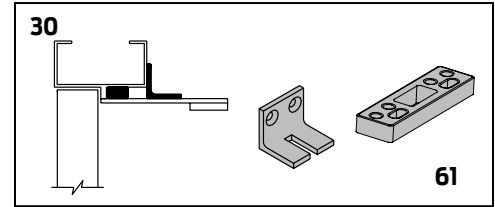
Required to lower parallel arm shoe to clear 1/2" (13 mm) blade stop.

PA FLUSH PANEL ADAPTER, 4040XP-419

Provides horizontal mounting surface for parallel arm shoe on single rabbetted or flush frame.

AUXILIARY SHOE, 4040XP-62A

Requires a top rail of 7" (178 mm). Optional shoe replaces -62PA for parallel arm mounting of regular arm with overhead holder/stop.



4040XP SERIES

TABLE OF SIZES

4040XP cylinders are adjustable from size 1 through size 6 and is shipped set to size 3.

Closing power of 4040XP Series closers may be adjusted 50%.

EXTERIOR (and VESTIBULE) DOOR WIDTH

	24" 610mm	30" 762mm	36" 914mm	42" 1067mm	48" 1219mm
*4040XP	size 3	size 4	size 5	size 6	

Minimum Door Width

INTERIOR DOOR WIDTH

	24" 610mm	34" 864mm	38" 965mm	48" 1219mm	54" 1372mm	60" 1524mm
*4040XP	size 2	size 3	size 4	size 5	size 6	

Minimum Door Width


→ Indicates recommended range of door width for closer size.

* Adjustable Size 1 thru 6.

REDUCED OPENING FORCE 4040XP SERIES CLOSERS

CAUTION! Any manual door closer, including those certified by BHMA to conform to ANSI Standard A156.4, that is selected, installed and adjusted based on ADA or other reduced opening force requirements may not provide sufficient power to reliably close and latch a door.

Refer to POWER OPERATORS section for information on systems that meet reduced opening force requirements without effecting closing power.

	DOOR WIDTH	36"	42"	48"
	8.5* lbs.	4040XP	4040XP	4040XP
	5.0* lbs.	4040XP	4040XP	4040XP

* Maximum opening force.

HOW-TO-ORDER 4040XP SERIES CLOSERS

1. SELECT FINISH

- Standard Powder Coat _____
Aluminum, Dark Bronze, Statuary,
Light Bronze, Black, Brass.

Closer will be shipped with:

- STANDARD CLIP-ON COVER
- SPECIFY ARM WHEN ORDERING
- SELF-REAMING and TAPPING SCREWS,
unless options listed below are selected.

CLOSER OPTIONS

CYLINDER

- Delayed Action (4041 DEL)

COVER

- Metal (specify right or left hand) (MC)

FINISH

- Custom Powder Coat (RAL) _____
(handed metal cover required)
- Plated Finish, US _____
(handed metal cover required)
- SRI primer (use with powder coat finishes only)

ARM

- Regular (REG)
- Regular w/62PA (Rw/PA)
- Regular w/62A (R/62A)
- Long (LONG)
- Extra Long (XLONG)
- Hold-Open (H)
- Hold-Open w/62PA (Hw/PA)
- Long Hold-Open (HLONG)
- Extra Duty Arm (EDA)
- Extra Duty Arm with 62G (EDA/62G)
- Hold Open Extra Duty Arm (HEDA) (Handed)
- Hold Open Extra Duty Arm with 62(HEDA/62G)(Handed)
- Cush-N-Stop (CUSH)
- HCush-N-Stop (HCUSH)
- Spring Cush (SCUSH)
- Spring HCush (SHCUSH)

OPTIONAL SCREW PACKS

- TB* w/Self-Reaming and Tapping (TBSRT)
 - Wood & Machine Screw (WMS)
 - TB*, Wood & Machine Screw (TBWMS)
 - TORX Machine Screw (TORX)
 - TB* & TORX Machine Screw (TBTRX)
- * Specify door thickness if other than 1-3/4".

INSTALLATION ACCESSORIES

- Plate, 4040XP-18
- Plate, 4040XP-18TJ
- Plate, 4040XP-18G
- Plate, 4040XP-18PA
- CUSH Shoe Support, 4040XP-30
- Blade Stop Spacer, 4040XP-61
- Auxiliary Shoe, 4040XP-62A
- PA Flush Panel Adapter, 4040XP-419

SPECIAL TEMPLATE

- ST- _____

PHONE 877-671-7011
FAX 800-248-1460
www.allegion.com/us
4/15 009426