

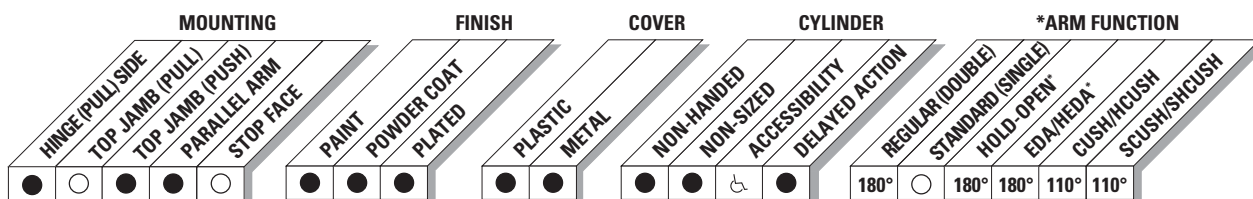


The 1450 Series cast aluminum closer was specially designed to deliver consistent, dependable, long-term performance in frequently-used, low-abusive traffic areas. The patented design, featuring the industry's most common hole pattern, is an excellent choice for a range of applications - from aftermarket replacement to aluminum store fronts, to new construction projects - anywhere quality, reliability and value are important.

Certifications	Grade 1 - ANSI A156.4, UL 10C, ADA, 100 Hour Salt Spray, Meets BAA - Buy American Act	Cover	<ul style="list-style-type: none"> ■ Slim Line Plastic, Standard ■ Full Plastic and Metal, Optional
Body Construction	<ul style="list-style-type: none"> ■ Cast Aluminum Body ■ Full Complement Bearing ■ 1-1/4" Diameter Piston ■ 5/8" Diameter Single Heat Treated Pinion Journal 	Fasteners	Universal Screw Pack (UNIV)
Fluid	All Weather Fluid	Mounting	Hinge (Pull Side), Top Jamb (Push Side), Parallel Arm (Push Side)
Handing	Non-Handed	Arms	Standard regular pull side, and top jamb
Templating	Peel-n-Stick templates - 3/4" x 12" Mounting Hole Pattern	Finishes/Colors/ Powder Coat	<ul style="list-style-type: none"> ■ Aluminum (689) ■ Statuary Bronze (690) ■ Light Bronze (691) ■ Black (693) ■ Dark Bronze (695) ■ Brass (696) ■ Custom colors optional
Size	Adjustable Spring Size 1-6		<ul style="list-style-type: none"> ■ Optional SRI primer - powder coat only ■ Optional plated finishes
Warranty	25 years		

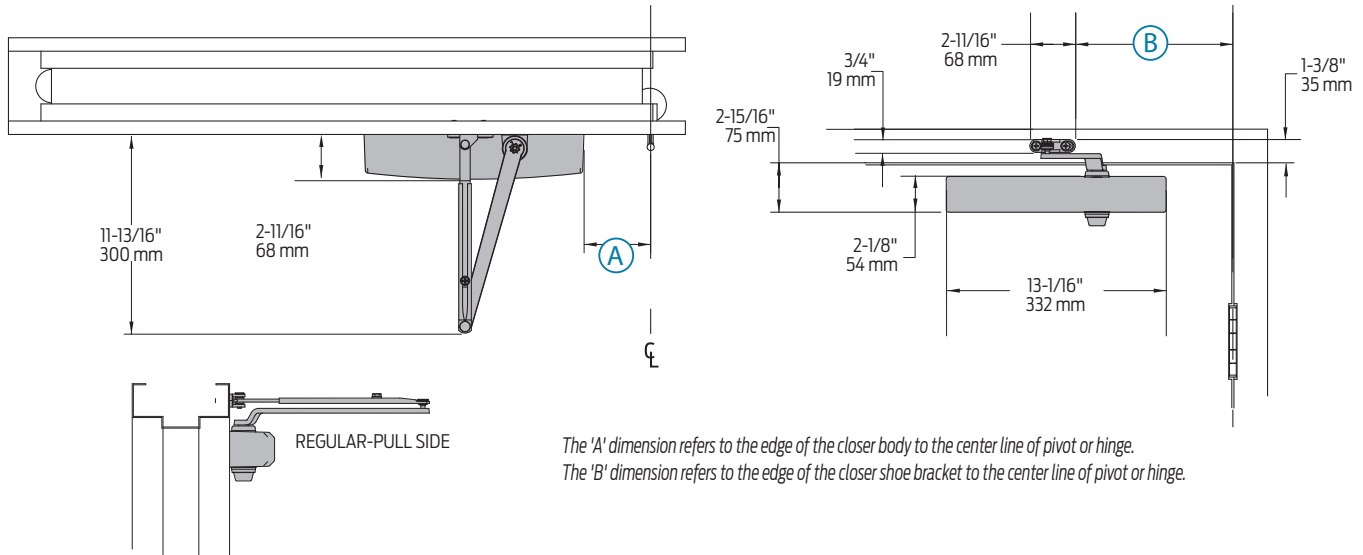
Special Templates

Customized installation templates or products may be available to solve unusual applications. Contact LCN Product Support for assistance.

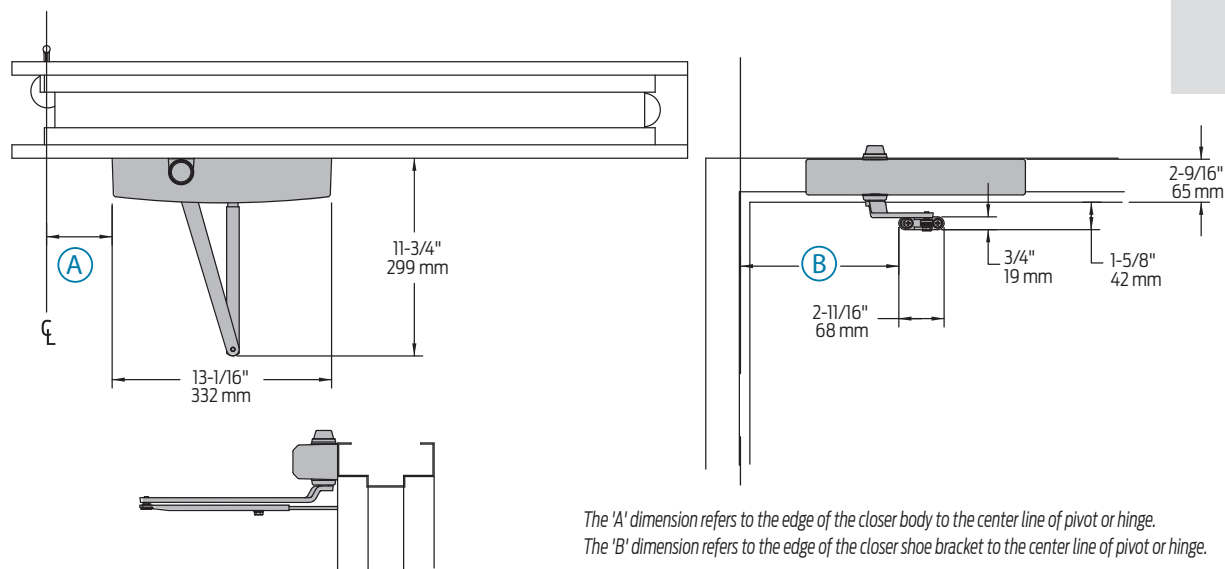


● AVAILABLE
○ NOT AVAILABLE

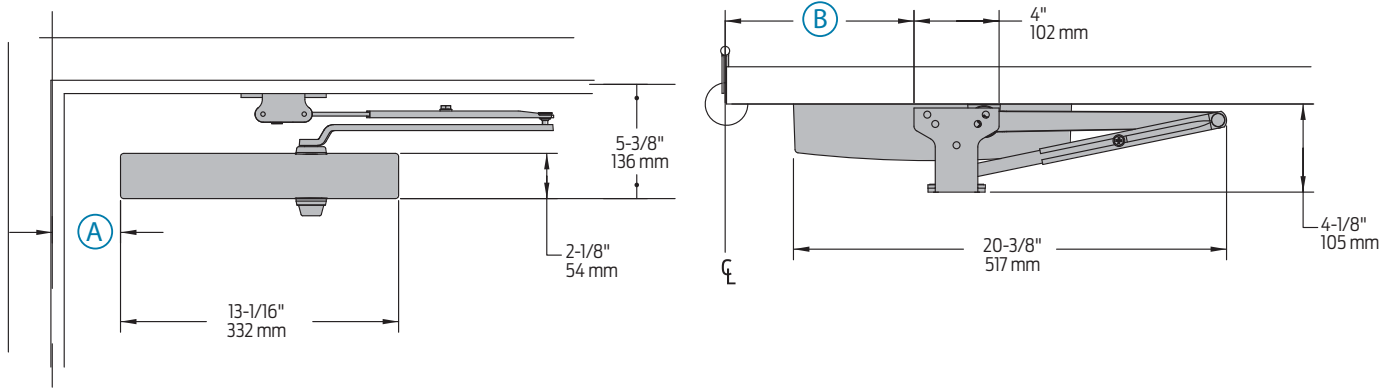
♿ Closer available with less than 5.0 lbs. opening force on 36" door.
* Maximum opening/hold-open point with standard template.
D = For designer series only.



Butt Hinges	Should not exceed 5" (127 mm) in width
Auxiliary Stop	Recommended at hold-open point or where a door cannot swing 180°
Reveal	Should not exceed 3/4" (19 mm) for regular arm or 1/2" (13 mm) for hold-open arm
Top Rail	<ul style="list-style-type: none"> Less than 2-1/2" (64 mm) requires PLATE, 1450-18 With Full cover, use PLATE, 1450-18FC. Plate requires 1-1/2" (38 mm) minimum
Clearance	2-3/8" (60 mm) behind door required for installation
Delayed Action	Delays closing from 180°-70°. Delay time adjustable up to approximately 1 minute
Maximum opening	<p>100°: A = 7" (102 mm) B = 12-3/8" (314 mm)</p> <p>101° to 130°: A = 5-1/2" (140 mm) B = 10-7/8" (276 mm)</p> <p>131° to 180°: A = 4" (102 mm) B = 9-3/8" (238 mm)</p> <p>Hold-open points up to maximum opening with hold-open arm *Frame and trim permitting.</p>



Butt Hinges	Should not exceed 5" (127 mm) in width		
Auxiliary Stop	Recommended at hold-open point or where a door cannot swing 180°		
Reveal	Arm Type	Reveal	Max Opening
	Regular Arm	5"	Up to 170°
	Regular Arm	3-3/4"	Up to 180°
	Long Arm	8"	Up to 155°
	Hold-Open Arm	2-3/4"	Up to 180°
	Long Hold-Open Arm	4-7/8"	Up to 140°
Top Rail	Requires 2-1/8" (54 mm) minimum. 3-3/8" (86 mm) minimum with closer on PLATE, 1450-18.		
Head Frame	Less than 1-3/4" (44 mm) requires PLATE, 1450-18. For flush ceiling condition with 1-3/4" (45 mm) head frame, use PLATE, 1450-18		
Delayed Action	Delays closing from 180°-70°. Delay time adjustable up to approximately 1 minute		
Maximum opening	100°:	A=7" (102 mm) B = 12-3/8" (314 mm)	
	101° to 130°:	A= 5-1/2" (140 mm) B = 10-7/8" (276 mm)	
	131° to 180°:	A= 4" (102 mm) B = 9-3/8" (238 mm)	
	Hold-open points up to maximum opening with hold-open arm. *Frame and trim permitting.		

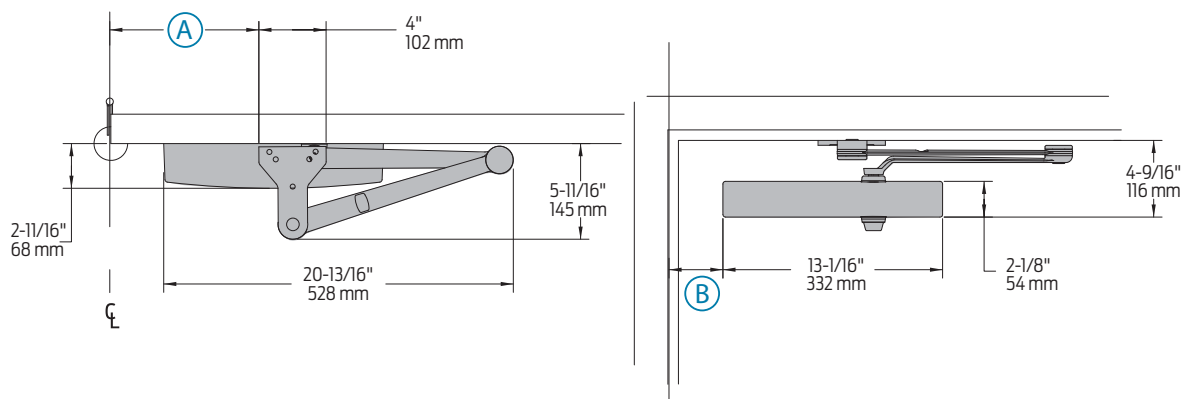


Butt Hinges	Should not exceed 5" (127 mm) in width		
Auxiliary Stop	Recommended at hold-open point, where a door cannot swing 180°, or where CUSH-N-STOP arm is not used		
Top Rail	<ul style="list-style-type: none"> Less than 5-1/4" (133 mm) measured from the soffit requires Plate requires 1-1/4" (32 mm) minimum. 		
	Cover	Minimum Top Rail (measured from soffit)	Plate Required
	Plastic	3-1/2" (89 mm)	1450-18
		2-1/4" (57 mm)	1450-18PA
	Metal	3-1/2" (89 mm)	1450-18FC
		2-1/4" (57 mm)	1450-18PAFC
Clearance	1450-62PA shoe projects 4-1/8" (105 mm) from door face		
Head Frame	Flush or single rabbeted requires PA SHOE ADAPTER, 1450-418		
Stop Width	Minimum 1" (25 mm)		
Blade Stop	Clearance, requires 1/2" (13 mm) BLADE STOP SPACER, 1450-61		
Auxiliary Shoe	1450-62A allows installation of regular arm with overhead holder/stop		
Delayed Action	Delays closing from 180°-70°. Delay time adjustable up to approximately 1 minute		
Maximum opening	Regular or hold-open arm can be templated to		
	120°:	A = 3-3/16" (81 mm) B = 8-7/8" (225 mm)	
	121° to 180°:	A = 11/16" (17 mm) B = 6-3/8" (162 mm)	
	Hold-open points up to maximum opening with hold-open arm.		

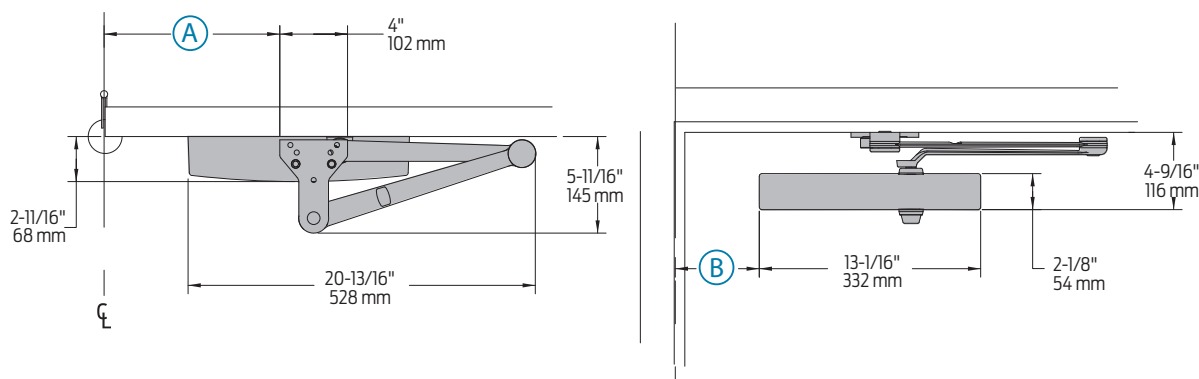
Notes:

- PA shoe is included with Rw/PA Arm
- 1450 closer includes 1450-201 FIFTH HOLE SPACER to support PA SHOE

EDA/HEDA mount



CUSH/HCUSH/SCUSH /SHCUSH mount



The 'A' dimension refers to the edge of the closer body to the center line of pivot or hinge.
 The 'B' dimension refers to the edge of the closer shoe bracket to the center line of pivot or hinge.

Clearance	1450-62EDA or CUSH shoe projects 5-11/16" (144mm) from door face	
Head Frame	Flush or rabbeted requires CUSH FLUSH PANEL ADAPTER, 1450-419	
EDA or CUSH ARM	Requires soffit SHOE SUPPORT, 1450-30 for fifth screw anchorage where reveal is less than 3-1/16" (78 mm)	
Spring CUSH	Dead stop points are approximately 5° more than templated stop points	
Maximum opening	EDA template allows 110°. Hold-open point up to maximum opening	CUSH arms can be templated for maximum opening/hold-open point at 85°
	120°: A = 8-7/8" (225 mm) B = 3-3/16" (81 mm)	85°: A = 10-3/8" (279 mm) B = 4-15/16" (140 mm)
	over 120°: A = 6-3/8" (162 mm) B = 11/16" (17 mm)	90°: A = 9-5/8" (244 mm) B = 4-3/16" (106 mm)
		95°: A = 8-7/8" (225 mm) B = 3-7/16" (87 mm)
		100°: A = 8-1/4" (210 mm) B = 2-13/16" (71 mm)
		105°: A = 7-5/8" (194 mm) B = 2-3/16" (56 mm)
		110°: A = 7" (178 mm) B = 1-9/16" (40 mm)

Note:
 • 1450 closers ordered with EDA, CUSH or SPRING CUSH arms include 1450-201 FIFTH HOLE SPACER to support the shoe.

Cylinders



1450-3071
Cast Aluminum Cylinder Assembly

- Non-Handed
- Standard



1450-3071DEL
Cast Aluminum Cylinder Assembly with Delay Action

- Optional

Covers



1450-72
Slim Line Plastic Cover

- Non-Handed
- Standard



1450-72MC
Metal Cover

- Handed
- Optional



1450-72FC
Full Plastic Cover

- Non-Handed
- Optional

Installation Accessories



1450-18 / 1450-18FC
Plate

- Required for hinge side mount where top rail is less than 2-1/2" (64 mm)
- Required for top jamb mounting where head frame is less than 1-3/4" (44 mm) or flush ceiling condition exists
- Requires minimum 1-1/2" (38 mm) minimum top rail or 1-1/4" (32 mm) head frame
- With full cover, use PLATE, 1450-18FC



1450-18PA / 1450-18PAFC
Plate

- Required for parallel arm mounting where top rail is less than 4-3/8" (111mm), measured from the stop
- Requires 1-3/4" (44 mm) minimum top rail
- With full cover, use PLATE, 1450-18FC



1450-30
CUSH Shoe Support

- Provide anchorage for fifth screw used with CUSH arms where reveal is less than 3-1/16" (78mm)



1450-61
Blade Stop Spacer

- Lowers parallel arm shoe to clear 1/2" (13 mm) blade stop.



1450-62PA
PA Shoe

- Required for parallel arm mounting



1450-62A
Auxiliary Shoe

- Requires a top rail of 7" (178mm). Optional shoe replaces -62PA for parallel arm mounting of regular arm with overhead holder/stop



1450-419
PA Flush Panel Adapter

- Provides horizontal mounting surface for PA, EDA or CUSH shoe on single rabbeted or flush frame

Arms



1450-3077
Regular Arm w/PA

- Non-Handed
- Mounts hinge side or top jamb
- Includes PA SHOE, 1450-62PA required for parallel arm mounting



1450-3077L
Long Arm

- Non-Handed
- Includes LONG ROD AND SHOE, 1450-79LR for top jamb mount with deep reveals
- Optional



1450-3049
Hold-Open Arm w/PA

- Non-Handed
- Mounts hinge side, top jamb or parallel arm (62PA required)
- Hold-open adjustable at shoe
- Optional



1450-3049L
Long Hold-Open Arm

- Non-Handed
- Includes LONG HEAD AND TUBE, 1450-3048L for top jamb mount with deep reveals
- Optional



1450-3077EDA
Extra Duty Arm

- Non-Handed
- Features solid forged steel main and forearm for potentially abusive installations
- Optional 1450-3077EDA/G for blade stop clearance



1450-3077EDA/62G
Extra Duty Arm w/ 62G

- Non-Handed
- Features solid forged steel main and forearm for potentially abusive installations
- Optional 1450-3077EDA/G for blade stop clearance



1450-3049EDA
Hold-Open Extra Duty Arm

- Handed arm
- Provides hold-open function adjustable at shoe
- Optional



1450-3077CNS
Cush-n-Stop® Arm

- Non-Handed
- Features solid forged steel main arm and forearm with stop in soffit shoe
- Optional



1450-3049CNS
HCUSH Arm

- Non-Handed
- Provides hold-open function with templated stop/hold-open points
- Handle controls hold-open function
- Optional



1450-3077SCNS
Spring CUSH Arm

- Non-Handed
- For abusive applications features solid forged steel main arm and forearm with spring loaded stop in the soffit shoe
- Optional



1450-3049SCNS
Spring HCUSH Arm

- Non-Handed
- For abusive applications features solid forged steel main arm and forearm with spring loaded stop in the soffit shoe
- Handle controls hold-open function
- Optional

How-to-order 1450 Series closers

Select finish

- Standard Powder Coat _____
Aluminum, Dark Bronze, Statuary,
Light Bronze, Black, Brass

Closer will be shipped with:

- Standard cylinder
- Standard cover
- Tri pack arm (Rw/PA)
- Universal screw pack
unless options listed below are selected.

Closer options

Cylinder

- Delayed Action (DEL)

Finish

- Custom Powder Coat (RAL)
(Metal cover required)
- Plated Finish, US _____
(Metal cover required)
- SRI primer

Arm

- Regular w/62PA (Rw/PA)
- Long (LONG)
- Regular w/62A (Rw/62A)
- Hold-Open w/62PA (Hw/PA)
- Long Hold-Open (HLONG)
- Extra Duty (EDA) (optional -62G)
- Hold-Open Extra Duty (HEDA) - specify handing
- Cush-N-Stop (CUSH)
- HCush (HCUSH)
- Spring Cush (SCUSH)
- Spring HCush (SHCUSH)

Optional screw packs

- TORX Machine Screw (TORX)
- TB* & TORX Machine Screw (TBTORX)
- * Specify door thickness if other than 1-3/4"

Installation accessories

- Plate, 1450-18
- Plate, 1450-18FC
- Plate, 1450-18PA
- Plate, 1450-18PAFC
- CUSH Shoe Support, 1450-30
- Blade Stop Spacer, 1450-61
- Auxiliary Shoe, 1450-62A
- PA Flush Panel Adapter, 1450-419

Special template

- ST- _____

Meets Buy American Act

- BAA

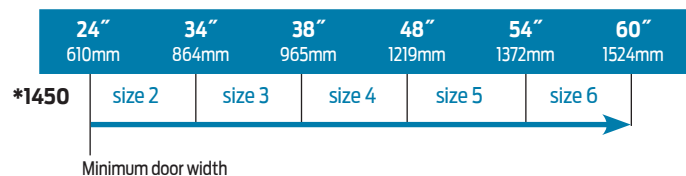
Table of sizes

- Select closer based on width of door.
- The spring power of a 1450 cylinder is field adjustable from size 1 through size 6 and is shipped adjusted to size 3.

Exterior (and Vestibule) door width



Interior door width




→ Indicates recommended range of door width for closer size.
* Adjustable Size 1 thru 6.

Reduced opening force 1450 Series closers

CAUTION! Any manual door closer, including those certified by BHMA to conform to ANSI Standard A156.4, that is selected, installed and adjusted based on ADA or other reduced opening force requirements may not provide sufficient power to reliably close and latch a door.

Refer to POWER OPERATORS section for information on systems that meet reduced opening force requirements without affecting closing power.

* Maximum opening force.

	DOOR WIDTH	36"	42"	48"
	8.5* lbs.	1450	1450	1450
	5.0* lbs.	1450	1450	1450