 Meets ADA requirements
Specially designed for
Barrier Free Application
Conforms with ANSI A156.2
Series 4000, Grade 2
Exceeds 400,000 cycles

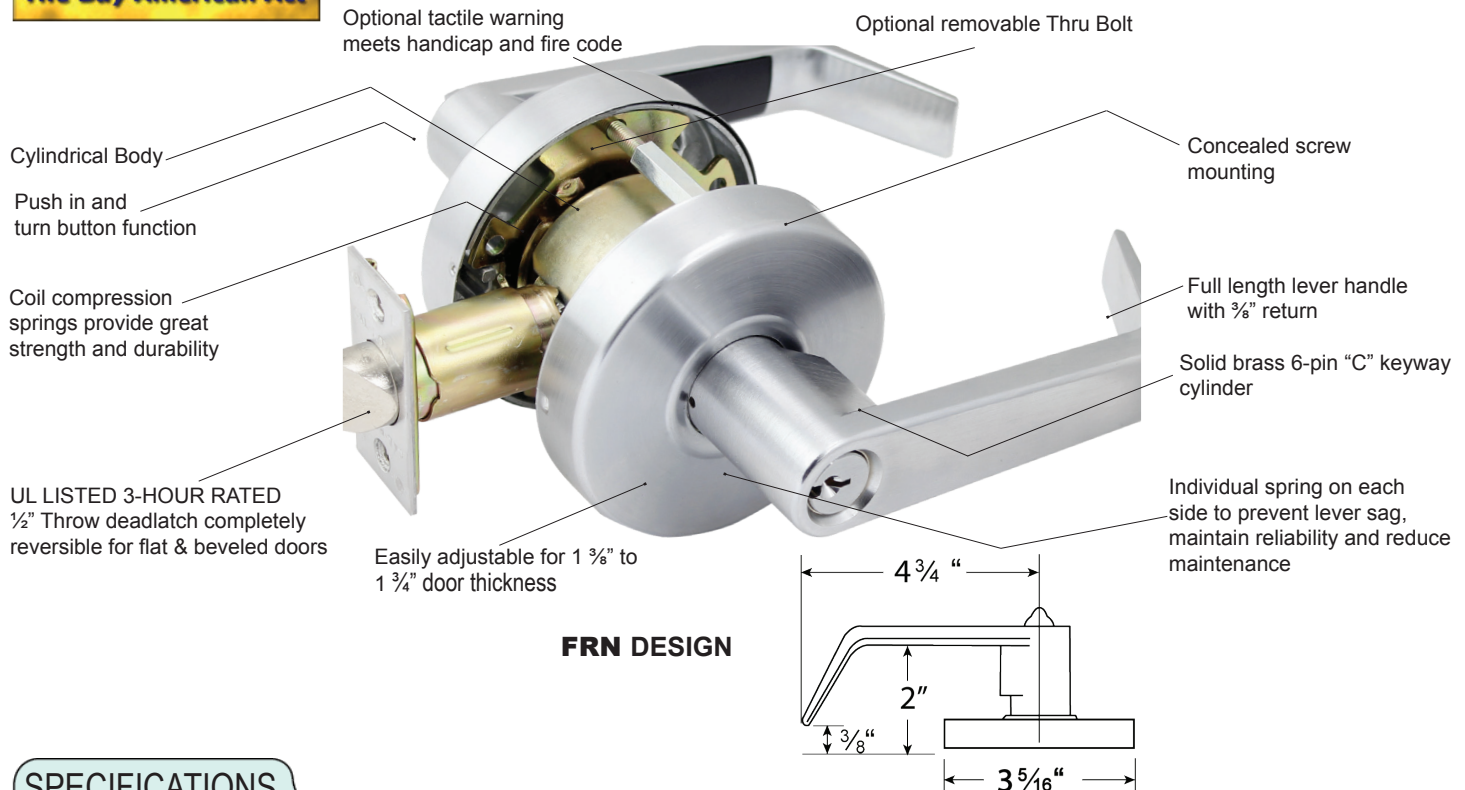
FRONTIER

FRN SERIES NON-CLUTCH MECHANISM OPTIONAL THRU BOLT INSTALLATION


3 HOUR FIRE RATED
UL10C, UBC7-2-1997

**Lifetime
Warranty**

MEETS
The Buy American Act



SPECIFICATIONS

APPLICATIONS

For offices, schools, hospitals, apartments, hotel/motel, residential, commercial and public buildings.

DOOR RANGES

1 3/8" to 1 3/4" thickness doors.

BACKSET

2 3/4" Standard, 2 3/8" optional.

LATCHBOLT

1/2" Throw solid brass, reversible for RH or LH applications. UL Listed.

LATCH FACEPLATE

2 1/4" x 1 1/8", adjustable for flat or beveled doors 1/8" in 2", for 2 3/4" backset. Optional 2 1/4" x 1" for 2 3/8" backset.

ANSI STANDARDS

Meets or exceeds requirements of BHMA/ANSI A156.2 Series 4000, Grade 2 (FF-H 106C), 400,000 cycles.

EXPOSED TRIM

Wrought brass, bronze or stainless steel, levers are Zinc casting, plated to match trim finish.

KEYING

6-pin "C" keyway cylinder, 2 keys per lock. Keying as per individual job requirement.

CYLINDER & KEYWAYS

6-pin solid brass "C" keyway standard. Schlage E, Schlage C-K, Russwin D1-2-3-4, Corbin 59/60, Corbin-Russwin L4, Sargent LA-LB-LC, Falcon/Weiser E, Arrow A, Yale 8, Yale GA and Kwikset. Can also accept Medeco, Assa, Kaba and Cal-Royal (HSK) High Security Cylinders.

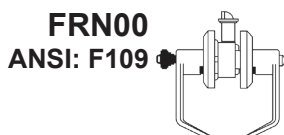
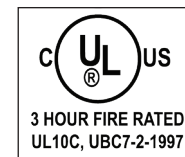
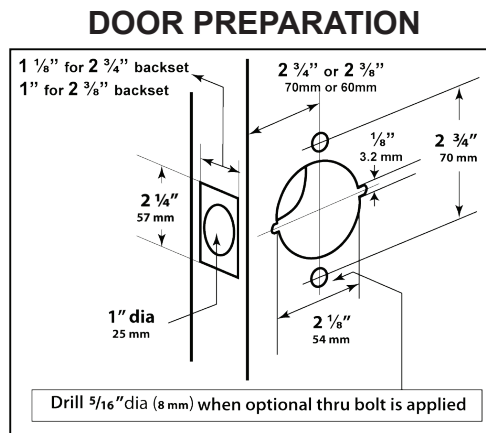
STRIKES

ASA strike standard, "T" and full lip strike available on request.

TACTILE & LEAD LINING available upon request.

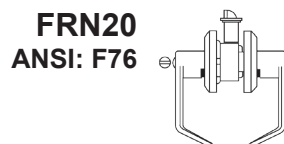
FINISHES AVAILABLE		
BHMA SYMBOL	US CODE	DESCRIPTION
605	US3	Polished Brass
606	US4	Satin Brass
609	US5	Antique Brass
612	US10	Satin Bronze
613	US10B	Oil Rubbed Bronze
619	US15	Satin Nickel
625	US26	Polished Chrome
626	US26D	Satin Chrome

Refer to price list for stock finishes and functions



ENTRANCE/OFFICE LOCK

Turn/Push button locking. Pushing and turning button locks outside lever requiring use of key until button is manually unlocked. Pushing button locks outside lever until unlocked with key or inside lever is turned.



PRIVACY LOCK

Latch bolt operated by lever from either side. Outside lever is locked by push button inside and unlocked by emergency release outside. Turning inside lever or closing door releases push button.



CLASSROOM LOCK

Dead locking latch bolt operated by lever from either side except when outside lever is locked from outside by key. When outside lever is locked, latch bolt is operated by turning inside lever.



PASSAGE SET

Latch bolt operated by lever from either side at all times.



STOREROOM LOCK

Dead locking latch bolt operated by key in outside lever or by rotating inside lever. Outside lever is always fixed.



DUMMY LEVER

Single dummy trim for one side of door. Pull only.

OTHER FUNCTIONS NOT LISTED AVAILABLE UPON REQUEST

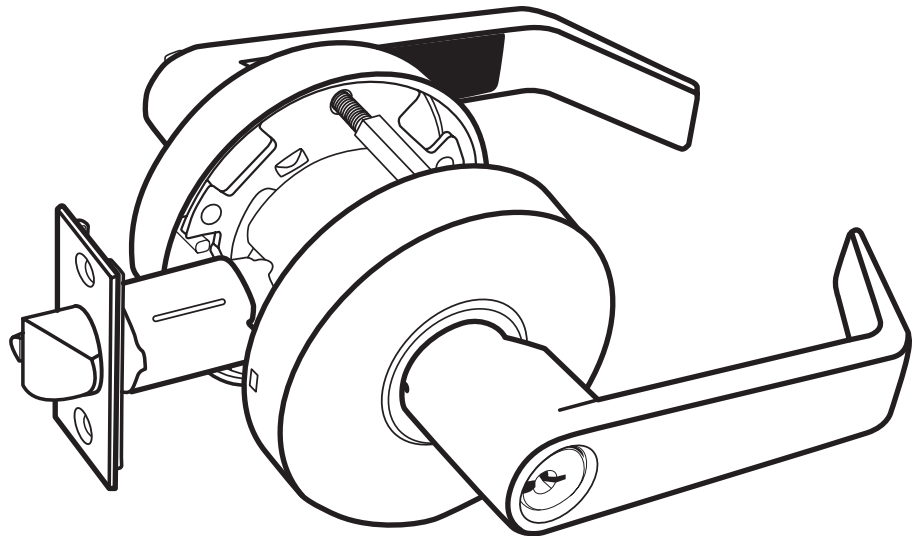
FRONTIER SERIES *List Price*

HEAVY DUTY CYLINDRICAL LEVERSET

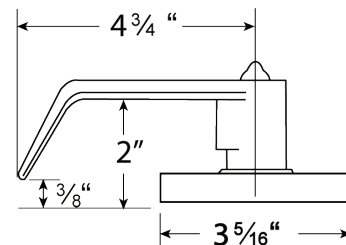
ANSI - A156.2, SERIES 4000, GRADE 2

FRN Series (Non-Clutch Mechanism)

- ▶ 1 3/8" to 1 3/4" thickness doors
- ▶ 2 3/4" Standard Backset, 2 3/8" optional
- ▶ 1/2" Throw solid brass, reversible for RH or LH applications
- ▶ 2 1/4" x 1 1/8", adjustable for flat or beveled doors 1/8" in 2", for 2 3/4" backset. Optional 2 1/4" x 1" for 2 3/8" backset
- ▶ Wrought brass, bronze or stainless steel, levers are Zinc casting, plated to match trim finish
- ▶ ASA Strike Standard
- ▶ UL Listed
- ▶ Meets or exceeds requirements of BHMA/ANSI A156.2 Series 4000



FRN DESIGN



STOCK ITEM PRICES IN **BOLD**

NON-STOCK FINISHES AND DESIGNS AVAILABLE WITH FACTORY LEAD TIME AND SUBJECT TO MINIMUM ORDER.

ITEM #	FUNCTION	ANSI	US26D	PCS/MC
FRN00	Entrance	F109	\$80.56	10
FRN05	Storeroom	F91		
FRN03	Classroom	F84		
FRN20	Privacy	F76	66.78	
FRN30	Passage	F75	64.66	
FRN40	Dummy	---	23.36	