

Model 522 — Bradex®

- Controlled Delivery
- Dual Roll (For Single Roll see Model 505)

Product Materials

UNIT: diecast zinc. Copper and nickel polished chrome-plated finish.

Capacity

Two standard core toilet tissue rolls through 5" in diameter and 4½" wide.

Operation

Push button unlocks support arms to permit servicing of unit. Tension spring on stationary arm controls paper delivery.

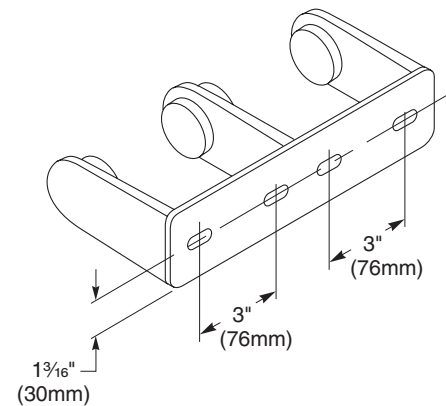
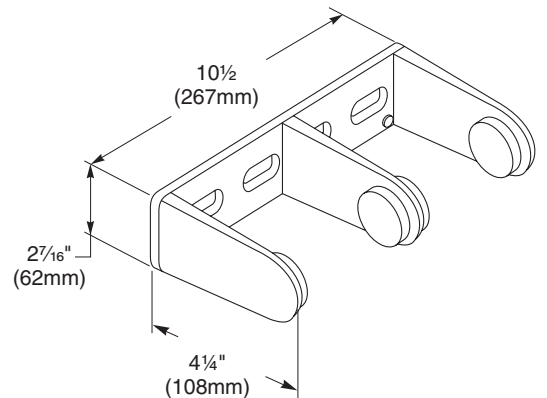
Installation

Verify all rough-in dimensions prior to installation. Secure to wall with mounting screws (included) at holes provided.

Guide Specification

Surface-mounted toilet tissue dispenser shall be chrome-plated diecast zinc and hold two standard core toilet tissue rolls. Tension spring controls paper delivery.

Overall dimensions: 10-1/2"W x 2 7/16"H x 4-1/4"D.



**Washroom Accessories
Document No. 8500**

Orders composed of products indicated as **Bradex®** will be available to ship in three days after receipt of order at the factory. There is no pricing penalty for this service from Bradley. This information is subject to change without notice.

Always consult local and national codes for proper installation guidelines. Conformity and compliance to local and national codes is the responsibility of the installer.

7/13/2012

© 2012 Bradley Corporation
P.O. Box 309, Menomonee Falls, WI 53052-0309
Phone: 800.BRADLEY (800.272.3539) Fax: 262.253.4161
bradleycorp.com