



Model 5054 — **Bradex**<sup>®</sup>

- Controlled Delivery
- Single Roll (For Dual Roll see Model 5224)

**Product Materials**

**UNIT:** heavy-duty satin chrome-plated steel.

**Capacity**

One standard core toilet tissue roll through 6" in diameter.

**Operation**

Remove tissue roll core to access special locking mechanism for servicing. Tension spring controls paper delivery.

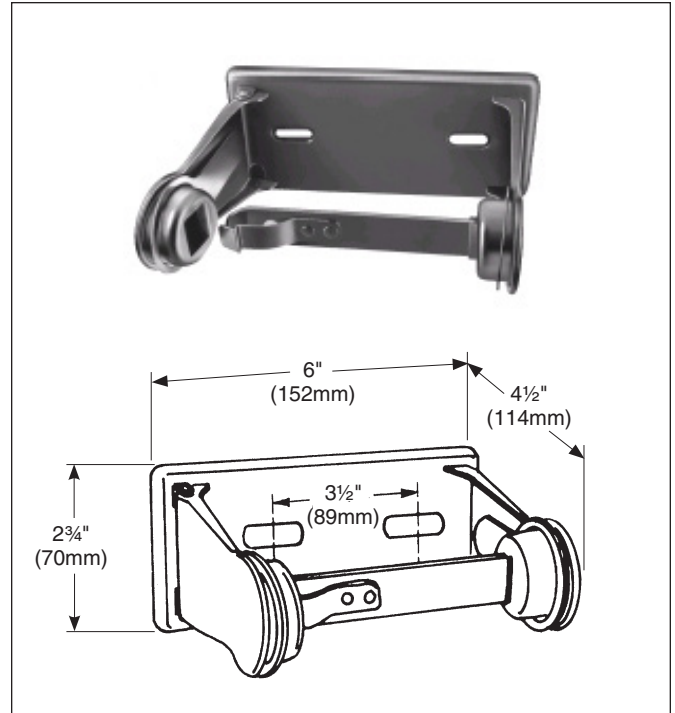
**Installation**

Verify all rough-in dimensions prior to installation. Secure to wall with mounting screws (included) at holes provided.

**Guide Specification**

Surface-mounted toilet tissue dispenser shall be heavy-duty chrome-plated steel and hold one standard core toilet tissue roll. Tension spring controls paper delivery.

**Overall dimensions: 6"W x 2¾"H x 4½"D.**



Orders composed of products indicated as **Bradex**<sup>®</sup> will be available to ship in three days after receipt of order at the factory. There is no pricing penalty for this service from Bradley.