



Model 5831 — Surface-Mounted **Bradex**[®]

250 Capacity

Product Materials

UNIT: 22 gauge stainless steel with exposed surfaces in architectural satin finish. Welded construction with burr-free edges.

Capacity

250 standard single-fold or half-fold toilet seat covers.

Operation

Insert seat covers through bottom of unit.

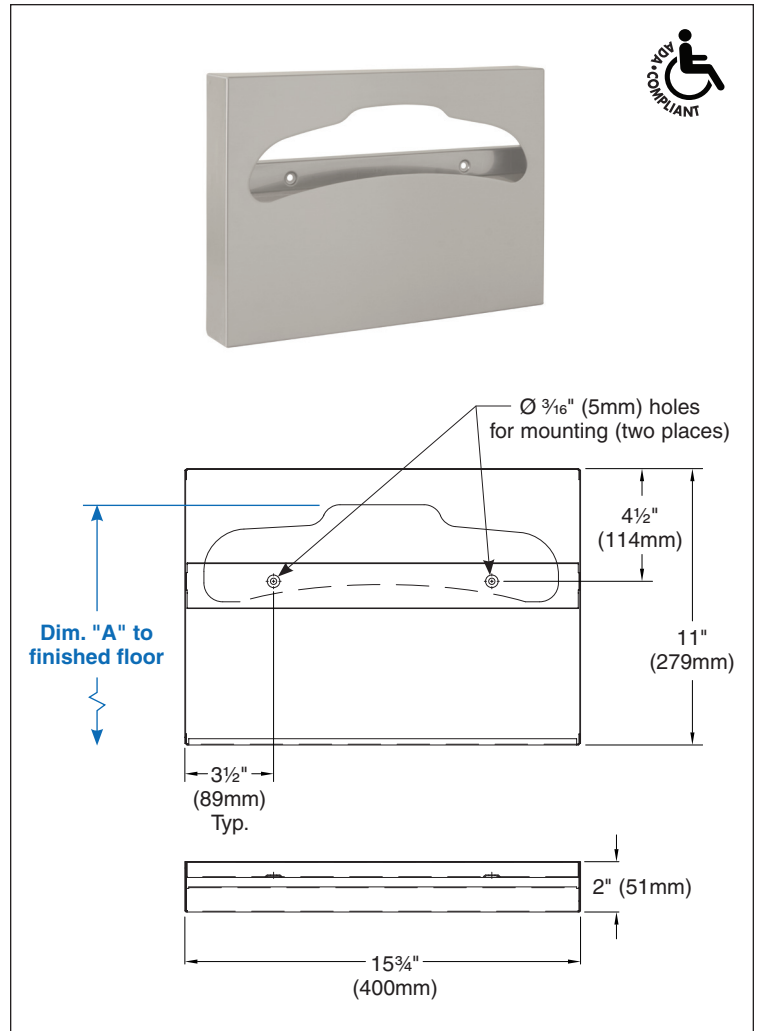
Guide Specification

Surface-mounted toilet seat cover dispenser shall be fabricated of 22 gauge stainless steel with exposed surfaces in satin finish. Capacity 250 toilet seat covers.

Overall dimensions: 15¾"W x 11"H x 2"D.

ADA Compliant

- Consult local and national accessibility codes for proper installation guidelines.
- Conformity and compliance to local and national codes is the responsibility of the installer.



Orders composed of products indicated as **Bradex**[®] will be available to ship in three days after receipt of order at the factory. There is no pricing penalty for this service from Bradley.